



**1 GHz 1,6/5.6 LATCHING S.P.D.T. SWITCH**

OPTIONS :

**R F CHARACTERISTICS**

FREQUENCY RANGE : 0 - 1 GHz  
 IMPEDANCE : 75 Ohms

|                 |         |         |
|-----------------|---------|---------|
| FREQUENCY (GHz) | 0 - 1   | 1 - 2.5 |
| V.S.W.R <=      | 1.20    | 1.30    |
| INSERT. LOSS <= | 0.20 dB | 0.30 dB |
| ISOLATION >=    | 80 dB   | 70 dB   |
| AVER. POWER (*) | 400 W   | 240 W   |

**ELECTRICAL CHARACTERISTICS**

ACTUATOR : LATCHING  
 NOMINAL CURRENT AT 25° C (±10%) : 80 mA  
 ACTUATOR VOLTAGE (Vcc) : 28V (24 to 30V) / POSITIVE COMMON  
 TERMINALS : solder pins (250° C max./30 sec.)

**MECHANICAL CHARACTERISTICS**

CONNECTORS : 1,6/5.6 fem. per IEC 169-13  
 LIFE : 5.000 .000 cycles  
 SWITCHING TIME (nominal voltage;25° C) : < 10 ms  
 CONSTRUCTION : splashproof  
 WEIGHT : < 45 g

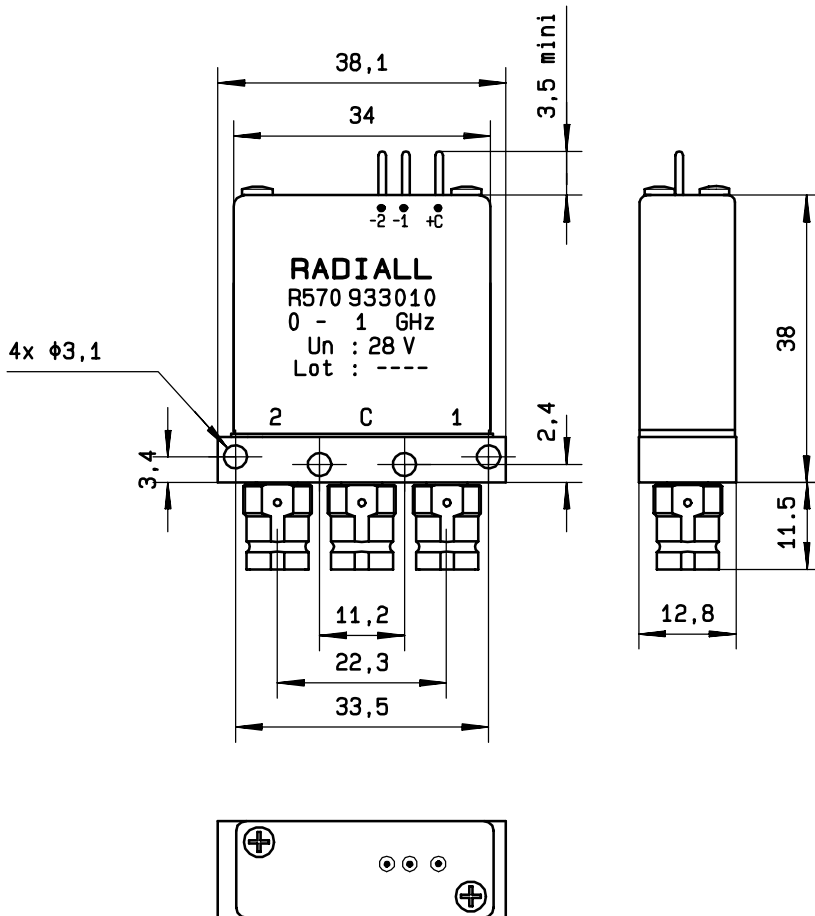
**ENVIRONMENTAL CHARACTERISTICS**

OPERATING TEMPERATURE RANGE (°C) : -25 , +70  
 STORAGE TEMPERATURE RANGE (°C) : -40 , +85

(\* : average power at 25° C)

4112-9212 This information is given as an indication. In the continual goal to improve our products, we reserve the right to make any modifications judged necessary

**DRAWING**

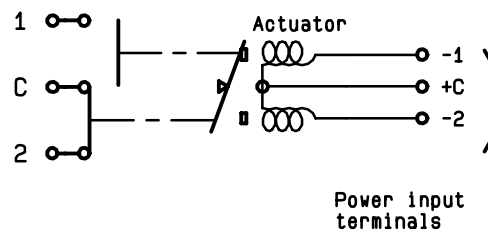


General tolerance:  $\pm 0,5$  mm

**SCHEMATIC DIAGRAM**

| Voltage | RF continuity         |
|---------|-----------------------|
| + C - 1 | C $\leftrightarrow$ 1 |
| + C - 2 | C $\leftrightarrow$ 2 |

RF input



4113-9212 This information is given as an indication. In the continual goal to improve our products, we reserve the right to make any modifications judged necessary